



Society for the
Advancement of
Material and Process
Engineering

SAMPE Los Angeles Chapter News and Information



January
2018

SAMPE L.A. CHAPTER MEETING

2018 KICK-OFF MEETING AND PLANT TOUR

January 31, 2018 (Wednesday) at 5:30 PM

Ascent Aerospace / Coast Composites



ADDRESS:

1395 S. Lyon Street
Santa Ana, CA 92705

PARKING:

Free parking at Coast Composites

TIME:

5:30 PM – Social networking and
complimentary pizza dinner
6:00 Plant tour of Coast Composites

RESERVATIONS:

Background check required: send information on
last page of newsletter to Eric Ehlers by 1/24/18
eric.ehlers@canyoncomposites.com

**Participants will be notified of approval prior
to the tour.**



Specialized Welding Techniques



COAST COMPOSITES

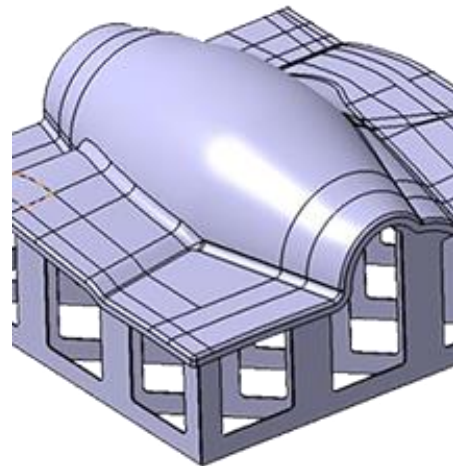
Santa Ana, CA

Ascent Aerospace is one of the largest providers of design-to-build, build-to-print, and automated tooling solutions for commercial and military aircraft fabrication, sub and final assembly. Ascent's Coast Composites manufactures metallic and composite tooling systems which are used to produce high performance composite aerospace parts and structures. With more than 20 years of tooling experience, Coast Composites is the market leader in large, complex tooling system and has substantially contributed to virtually every major composites program.

On the tour, attendees will observe fabrication and assembly of metallic molds and tools as well as a composite tooling fabrication cell.



Assembly Line Integration

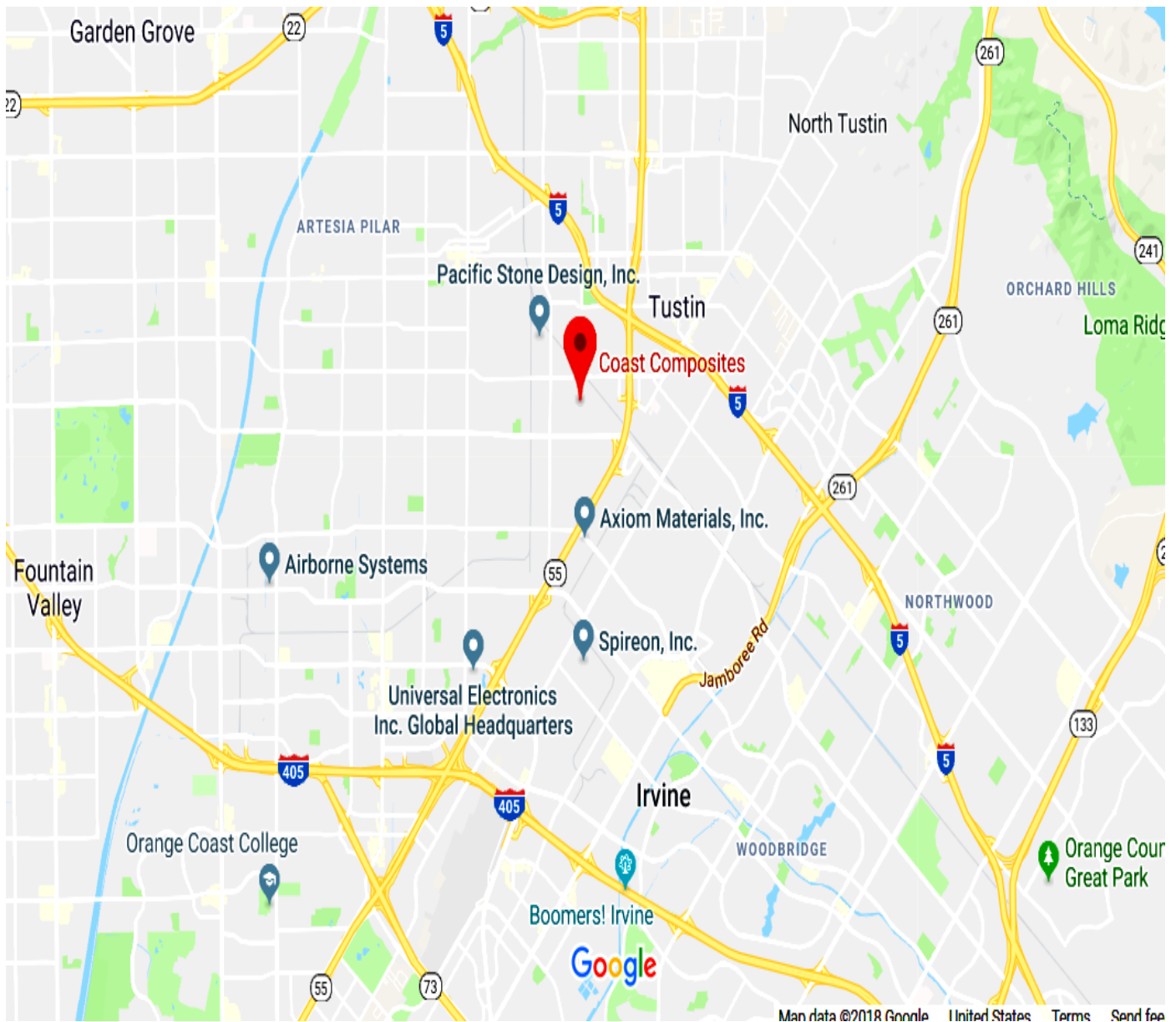


Tool Design

Directions to Coast Composites

1395 S. Lyon Street

Santa Ana, CA 92705

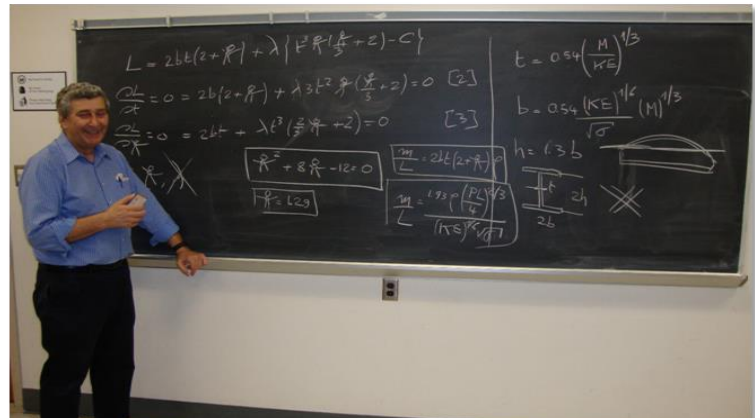


Professor Clem Hiel - Recipient of the title and distinction “Knight Commander” in the Order of the Crown of Belgium!!!

On November 15, 2017, Professor Clem Hiel, long time Board member of our SAMPE – LA chapter, was honored with the title and distinction “**Knight Commander**” in the Order of the Crown of Belgium.



Clement Hiel, Ph.D., SAMPE Fellow, Receiving medal and plaque of Knight Commander at the Belgium Consulate.



In addition to his contributions to the composites industry, Prof. Hiel has taught a range of courses in Materials Engineering as a Professor at the Free University of Brussels for the past 34 years, as well as at UCLA, emphasizing experimentation

Prof. Hiel’s work on the design, analysis, manufacturing, and commercial support for hybrid composite conductors, has significantly increased the capacity and efficiency of Belgium’s high-voltage distribution network and transmission system. Dr. Hiel’s work on high-voltage composite core conductors gave birth to **aluminium conductor composite core (ACCC)** from CTC Global Corp, which doubled the load-transfer capacity of high-temperature low-sag overhead electric power line conductors. Belgium has pioneered the use of these conductors on circuit upgrades. Dr. Hiel’s contribution to the high-voltage conductors not only upgraded the capacity of Belgium’s power grid to support the planned closure of nuclear power in 2025, but has also improved distribution networks around the world. To date, 42,000 km (26,100 miles) of ACCC have been installed worldwide – sufficient to encircle the entire globe.

The award also recognizes Prof. Hiel’s contributions to the USA’s research and development needs. In 2016, Dr. Hiel was awarded the Tibbetts Award in the United States for lifetime achievement in small business innovative research with technological impact. The **Aced Composite Tower** he developed and built with fastener-less snap-joint technology was assembled eight-times faster than a conventional tower. During its operations lifetime, the tower does not require continuing maintenance for corrosion. As a result of these efficiencies, the United States Air Force has saved an estimated one million dollars. The tower helps to enable a data-driven economy, increasing communications capabilities across military services, state and local governments, and the private sector.

Irene Epstein Scholarship

The Irene Epstein Memorial Scholarship Awards were initiated in 1996 shortly after the death of Irene Epstein, to honor her volunteer efforts on behalf of the Society for the Advancement of Material and Process Engineering (SAMPE), and to recognize her strong desire to assist financially-needy, academically-deserving students at Fairfax High School (Los Angeles) to attend college to study engineering, science, mathematics, or medicine.

The Irene Epstein Memorial Scholarship Awards program was initially funded by contributions from The Aerospace Corporation and SAMPE. It is also supported by the Air Force Space Systems Manufacturing Problem Prevention Program (MP3).

The program is administered by Dr. Howard A. Katzman, Senior Scientist at The Aerospace Corporation, and Education Chairman of the Los Angeles Chapter of SAMPE.

Many individuals and companies have generously contributed to help the fund grow so the amount of the scholarship awards has increased five-fold since it started. In addition, a special Book Awards was introduced three years ago to help selected students in the purchase of their college textbooks. If you would like to make a donation or learn more about the scholarship, please contact Dr. Howard A. Katzman at 310-336-5860 or e-mail him at Howard.A.Katzman@aero.org.

Schedule of Upcoming Events

February 23, 2018	<p>"Architected Materials" Caltech Lab Tour and Presentation Hosted by Prof. Julia Greer at Caltech, Pasadena, CA</p>
March 27, 2018	<p>Aerodef Conference Long Beach Convention Center Presentation by Alan Hiken, topic TBD</p>
April 26, 2018	<p>USC Lab Tour and Speaker Topic TBD Los Angeles, CA</p>
May 24, 2018	<p>"The Achilles Wheel of the Mars Curiosity Rover" Presentation by Emily Lakdawalla of JPL Meeting location TBD.</p>

Coming soon: SAMPE-LA Job Fair – Stay Tuned!!!

Starting in 2018, SAMPE – LA plans to organize a job seekers fair, to be held 2 -3 times per year. This will provide an additional forum for networking and recruiting local talent.

SAMPE SPONSORS

Company	Contact	Phone	E-Mail
Airtech International	Jeff Dahlgren	(714) 899 8100	jldahlgren@airtechintl.com
Aligned Vision	Scott Blake	(978) 244-1166	Sb@assemblyguide.com
Element Materials Technology	John Moylan	(818) 247 4106	John.Moylan@element.com
Fives Machining Systems, Inc.	Bridget Spears	(859) 534 4537	Bridget.Spears@FIVESGROUP.COM
Hitco Carbon Composites	Les Cohen	(310) 970 5409	lescohen@aol.com
Janicki Industries	John Janicki	(360)-814-1776	jjanicki@janicki.com
Keyence Corporation	Manny Lopez	(888) 539-3623	MLopez@keyence.com
Laser Technology, Inc.	John Newman	(610) 631 5043	Jwnewman50@aol.com
Maverix Solutions, Inc.	Vi Doan	(714) 501 6383	vdoan@maverixsolutions.com
Pacific Testing Laboratories	Hans Shin	(661) 257 1437	hshin@pacifictesting.com
Plataine Inc.	Avner BenBassat Avital Dotan		Avner.BenBassat@plataine.com Avital.Dotan@plataine.com
PMIC	Allen Howard Darrell Oakes	(541) 753 0607	AllenHoward@pmiclab.com darrelloakes@pmiclab.com
SME	Dave Morton	(313) 425-3142	dmorton@sme.org
TA Instruments	Steve Hall	(302) 521 5778	SHall@tainstruments.com
TenCate Advanced Composites USA	Eric Howard Stacy Biel	(831) 607 3851 (707) 758 4368	E.Howard@TCAC-USA.com S.Biel@TCAC-USA.com
Thermal Wave Imaging	Steve Shepard Alan Nusbaum	(248) 414 3730 (248) 417 5882	Sshepard@thermalwave.com alannusbaum@thermalwave.com
Toray Composites (America), Inc.	Nate Monroe	(253) 320 8958	nmonroe@toraytca.com

Thank you all for your sponsorship and support of SAMPE – LA!!!

Our list of sponsors is growing!!! Sponsors get monthly exposure in our mailing to over 750 members and associates of the local chapters of SAMPE. Sponsors also get a link to their corporate webpage via the SAMPE Los Angeles Chapter website.

For information on being a sponsor, please contact:

Howard A. Katzman

(310)336-5860